

CamNut[®]

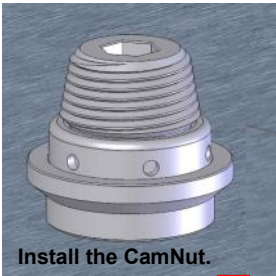
**Tension in minutes instead of hours.
Improve Bolt load accuracy.
- CamNut[®]**

Features:

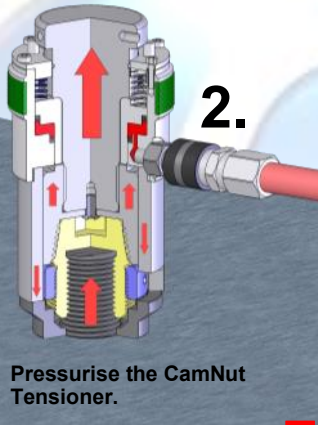
The patented design of the CamNut[®] is inexpensive and has the following advantages:

- User friendly, fast to fit & remove.
- Requires little physical effort.
- Quick connection from nut to Tensioner.
- Ideal for situations with short bolt grip length.
- Modular construction reduces overall tool weight.
- Operating temperatures from - 40⁰ C to +650⁰ C.
- No longer any need to replace expensive studs to provide sufficient grip length for Bolt Tensioning.

1.

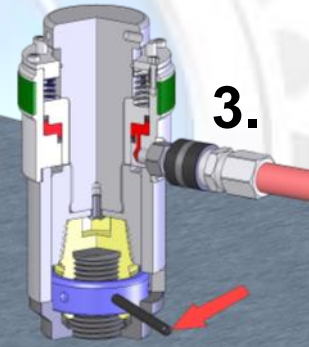


Install the CamNut.



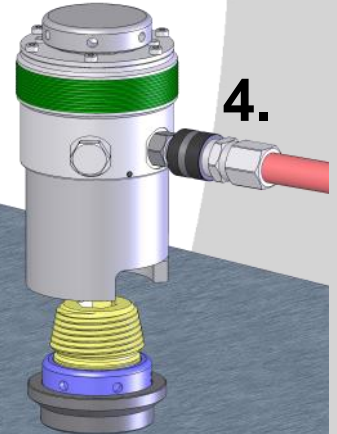
2.

Pressurise the CamNut Tensioner.



3.

Lock the Lock Ring.



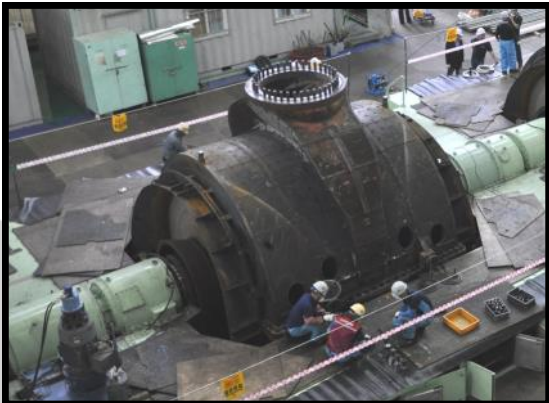
4.

Release the tool.

Operation:

Technofast's revolutionary CamNut[®] EziJac system brings an affordable and efficient solution, in a compact system which is simple, safe and easy to use.

Normally, a Bolt Tensioning tool pulls on the Bolt threads protruding above the regular Hex Nut, which is then screwed down to retain the loads induced by hydraulic operation of the tool. With no available thread, the CamNut[®] performs as the connection to the bolt for the operation. Its integral collar expands to take up the bolt's elongation under force and retains the load when the hydraulic charging pressure is released.



Applications:

- Pressure Vessel Closure (for example, Autoclaves, Boilers, etc).
- Crusher Liner Bolts
- Flange Makeup
- Turbine Joints
- High Temperature Applications

CamNut[®] Specifications.

Please contact Technofast Industries for further information and technical specifications.

This product is covered by numerous patents worldwide

Patent No: PCT/WO2005/123345